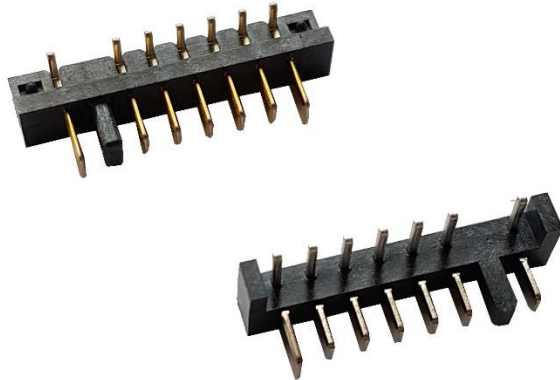


# Technical Data Sheet

## Battery Mating Connectors MC21-Series



### Battery Mating Connectors

#### Features:

- Mating connectors for standard smart batteries (e.g. 2130, 2140,...)
- 7A max. charge or discharge current to battery
- 7-pin male connectors
- 2.5mm pitch
- RoHS compatible

#### Applications:

- Mating connectors for D92130 & D92140 smart batteries used in medical and industrial applications

### Specification

<b>Ratings</b>	
Current	7A max. / pin
Voltage	30V DC
<b>Materials</b>	
Housing	Thermoplastic High Temperature, UL 94V-0, black
Contacts	Copper Alloy
Plating	50µm Nickel on contact area 100µm Matte-Tin on solder tails
<b>Environmental Condition</b>	
Operating Temperature	-40°C to +105°C

<b>Electrical Requirements</b>	
Contact Resistance	40mOhm max.
Insulation Resistance	100MOhm min. at 500VDC/1min
Dielectric withstand	500VAC/1min
<b>Mechanical Requirements</b>	
Contact Retention Force	300g min. / pin
<b>Physical Requirements</b>	
Solder Temperature	245°C ± 5°C
Immersion Period	5 ± 0.5sec
<b>Regulatory Approvals</b>	
RoHS	

<b>MC21-90-10</b>	
part number	D90555
PCB mounting	90°
<b>Mechanical Requirements</b>	
Dimensions (LxWxH)	22.50mm x 7.20mm x 5.85mm
Weight	Typical 1g
<b>Packaging</b>	
27 connectors per tube 168 tubes per carton	

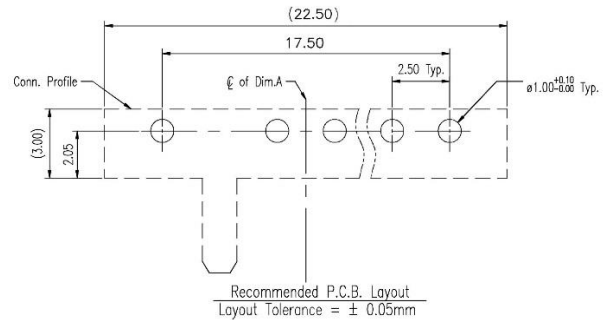
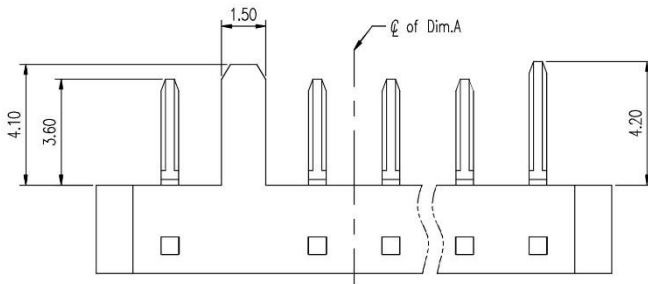
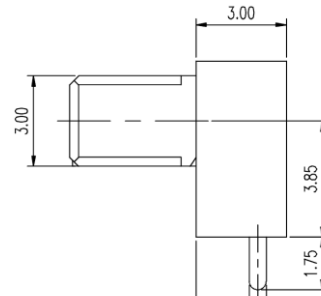
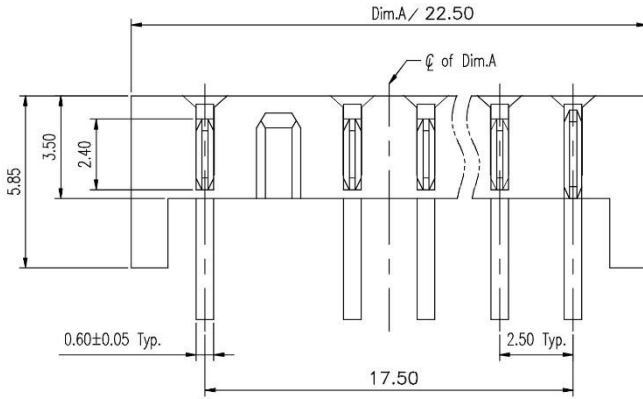
<b>MC21-90-20</b>	
part number	D90556
PCB mounting	90° PCB edge mounting
<b>Mechanical Requirements</b>	
Dimensions (LxWxH)	24.5mm x 9.50mm x 4.50mm
Weight	Typical 1g
<b>Packaging</b>	
24 connectors per tube 200 tubes per carton	

# Technical Data Sheet

## Battery Mating Connectors MC21-Series



### MC21-90-10 (90° connector for the D92130 & D92140 batteries)



### MC21-90-20 (edge mounting 90° connector for the D92130 & D92140 batteries)

