



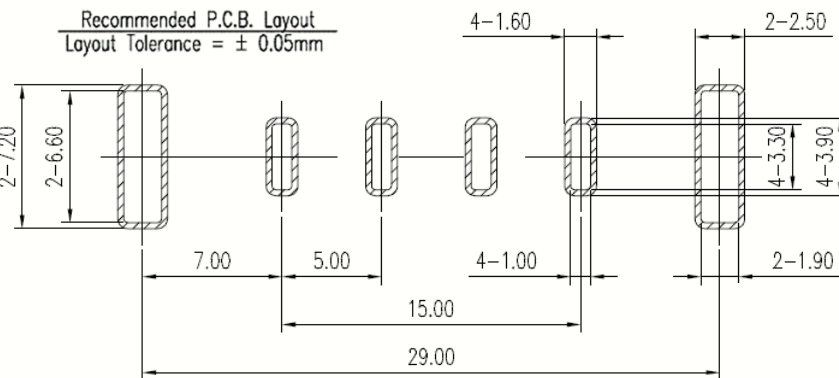
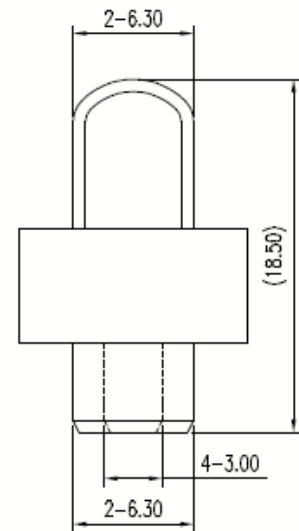
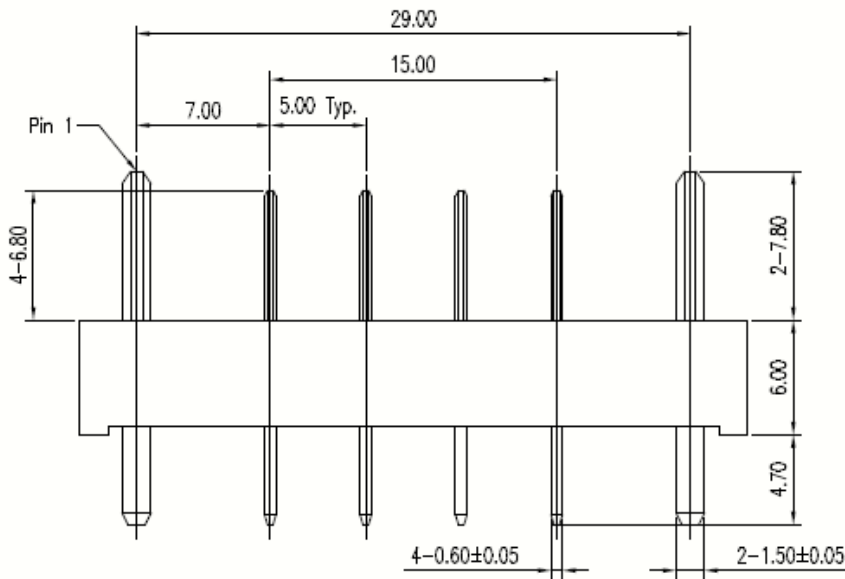
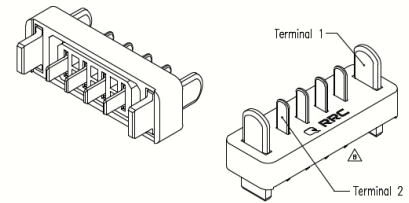
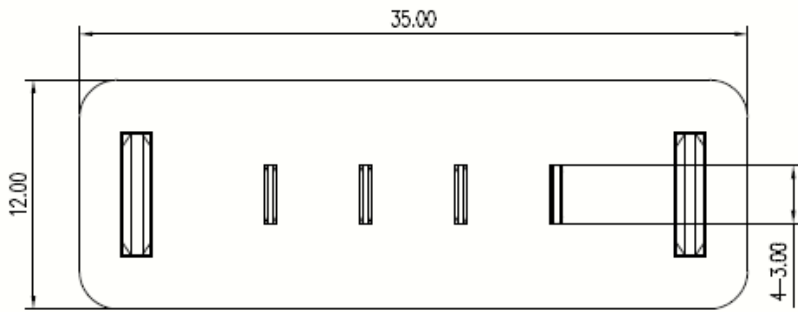
# TECHNICAL DATA SHEET

RRC-MC35-180-30

## Specification

Ratings	
Current	30.00A max. / power pin 1.00A max. / signal pin
Voltage	60.00V (power) 6.00V (signal)
Materials	
Housing	Thermoplastic High Temperature, UL 94 V-0 (LCP), black
Contacts	Copper Alloy
Plating	120µin Nickel overall, 50µin Nickel on contact area
Environmental Condition	
Operating Temperature	-40°C to +85°C
Electrical Requirements	
Contact Resistance	50mOhm max.
Insulation Resistance	1000MOhm min. at 500VDC / 1min
Dielectric withstand	500.00V / 1min
Mechanical Requirements	
Dimensions (LxWxH)	35mm x 12mm x 18.50mm
Weight	7g
PCB mounting	180°
Contact Retention Force	1500g min. / power pin 1000g min. / signal pin
Durability	5000 cycles
Physical Requirements	
Solder Temperature	260°C ± 5°C
Immersion Period	5sec
Regulatory Approvals	
Green Procurement	RoHS REACH
Packaging	
17 connectors per tube	
48 tubes per carton	

**Drawings**



**Germany/Headquarters**

RRC power solutions GmbH  
Technologiepark 1  
66424 Homburg / Saar

Tel.: +49 6841 98090  
Fax: +49 6841 9809280  
Email: sales@rrc-ps.de  
Web: www.rrc-ps.com

**USA**

RRC power solutions Inc.  
18340 Yorba Linda Blvd.,  
# 107-437  
Yorba Linda, CA 92886

Tel.: +1 714 777 3604  
Fax: +1 714 777 3658  
Email: usa@rrc-ps.com  
Web: www.rrc-ps.com

**Hong Kong**

RRC power solutions Ltd.  
S-V,6/F, Valiant Industrial  
Centre 2-12 Au Pui Wan Street  
Fo Tan, N.T., Hong Kong

Tel.: +852 2376 0106  
Fax: +852 2375 0107  
Email: hkrrc@rrc-ps.cn  
Web: www.rrc-ps.cn

**China**

RRC power solutions Ltd.  
Room 1306, C Building,  
Tianan International building,  
Renmin South Road, Luohu  
District, Shenzhen 518021

Tel.: +86 755 8374 1908  
Fax: +86 755 8374 1861  
Email: hkrrc@rrc-ps.cn  
Web: www.rrc-ps.cn